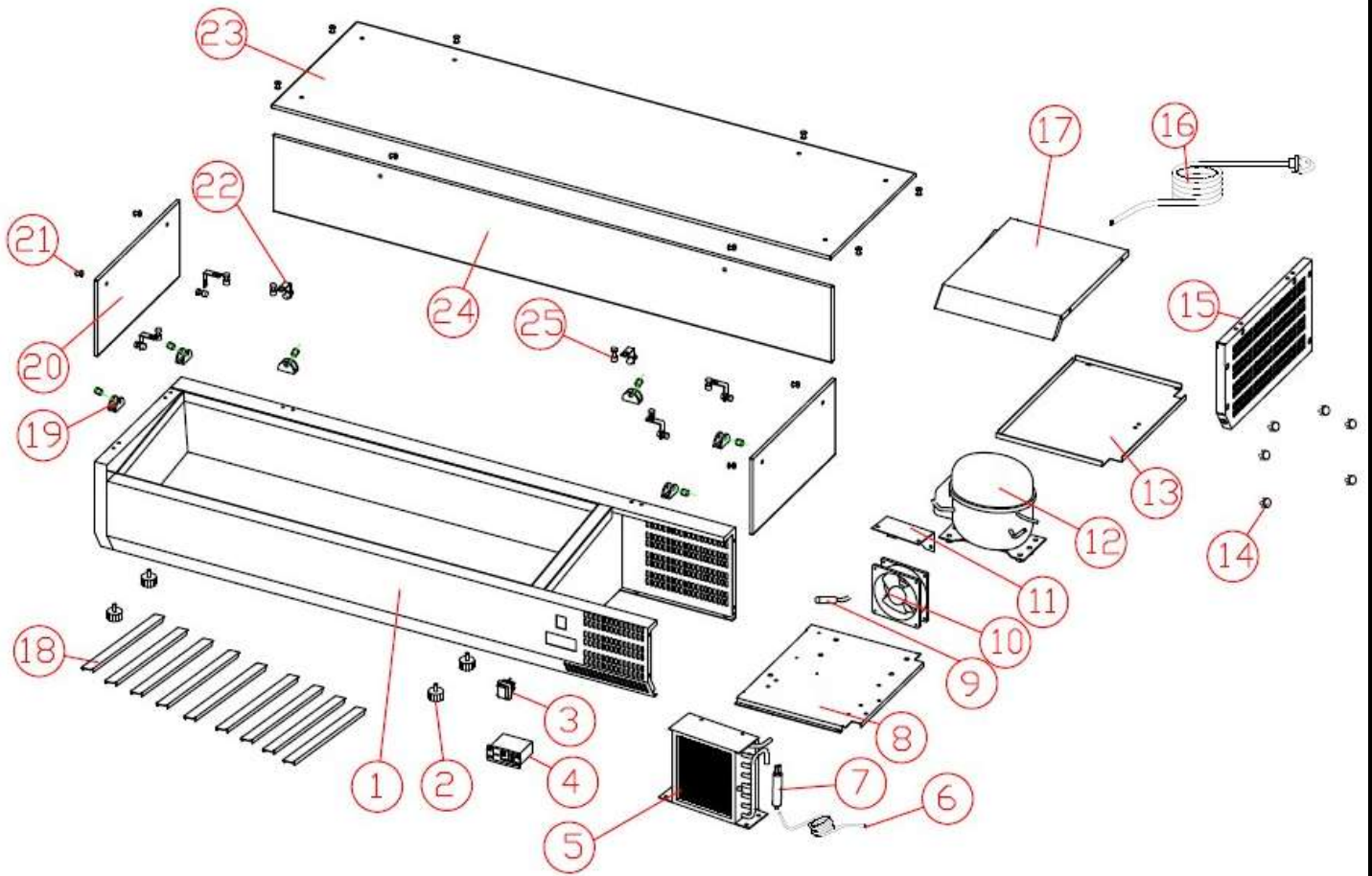


ВИТРИНА ХОЛОДИЛЬНАЯ ТАТРА TVR2000-10GN1/4



ВИТРИНА ХОЛОДИЛЬНАЯ ТАТРА TVR2000-10GN1/4

1	CABINET	GXE-0-000-0031-0	1
2	FEET	12534010008	4
3	POWER SWITCH	17749210020	1
4	CONTROLLER	17709030002	1
5	CONDENSER	17302060230	1
6	CAPILLARY	15804040802	1
7	DRYER FILTER	17111180146	1
8	COOLING UNIT BOARD	GXE-2-001-0132-0	1
9	PROBE	17649490013	1
10	COND. FAN	17701151238	1
11	COND. FAN CONNECT METAL SHEET	GXE-2-001-0133-0	1
12	COMPRESSOR	17209010037	1
13	SUPPORT BOARD FOR COMPRESSOR UNIT	GXE-2-001-0131-0	1
14	LARGE PLASTIC BUTTON	16369390066	6
15	RIGHT SIDE COVER	GXE-2-001-0134-0	1
16	POWER CORD	17664640062	1
17	TOP COVER	GXE-2-001-0135-0	1
18	CACHEPOT	GXE-2-001-0142-0	9
19	GLASS FIXED (WITH SCREW)	12512120024	6
20	SIDE GLASS	14208180316	2
21	RUBBER SLEEVE	16411010002	12
22	GLASS CONNECT	GXE-2-001-0137-0	6
23	TOP GLASS	14208331410	1
24	REAR GLASS	14208331405	1
25	GLASS CONNECT SCREW AND NUT	12512120023	12